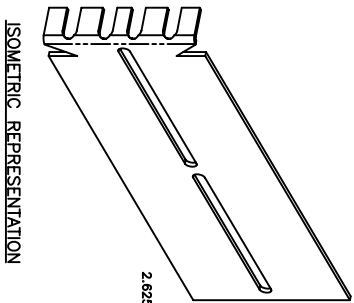
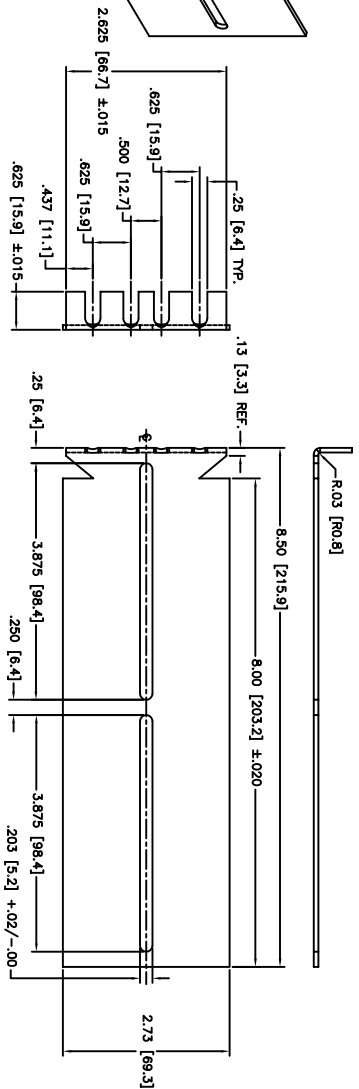


- NOTES:
1. MATERIAL: .075" THICK STOCK, COLD ROLLED STEEL
 2. FINISH: ZINC PLATE

BRACKET SPO-747



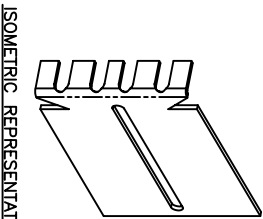
ISOMETRIC REPRESENTATION



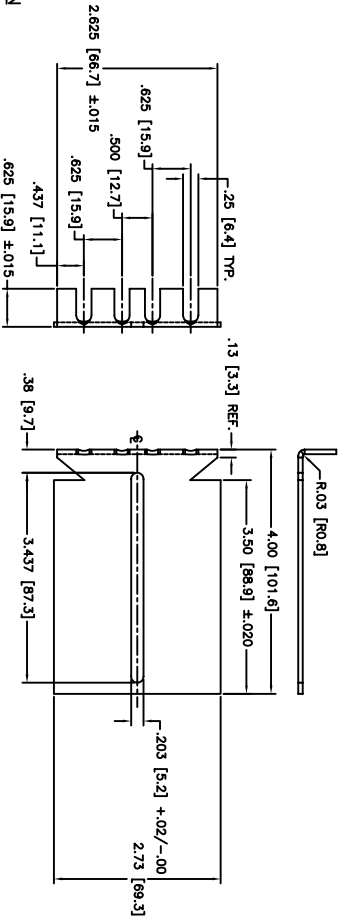
NOTES:

1. MATERIAL: .075" THICK STOCK, COLD ROLLED STEEL
2. FINISH: ZINC PLATE

BRACKET SPO-746



ISOMETRIC REPRESENTATION



BK-9 CONTENTS:		
PART NUMBER	DESCRIPTION	QUANTITY
SPO-746	RETMA BRACKET SHOWN	2
SPO-747	RETMA BRACKET SHOWN	2
	SCREW, FHPP, 10-32 X .44 ZINC	8
	NUT, UNF 2B, #10-32 SS	8
	WASHER, LOCK, #10 SS	8
	WASHER, FLAT, #10 SS THIN	8

JONATHAN
Engineered Solutions

Part No. **BK-9**

DESCRIPTION: **432/433 RETMA BRACKET & HARDWARE KIT**

DATE: **07/25/04**

Dimensions shown AS: IN. [MM] TOLERANCE UNLESS OTHERWISE NOTED
 .XXX [X] ±.010"
 .XX [X] ±.030"
 ANGLES ±1°

Irvine Technology Center
 410 Exchange, Suite 200
 Irvine, CA 92602
 Tel: (714) 665-4400
 Website: www.jonathanengr.com
 Engineering • Production • Integration • Subassembly • Logistics
 United States • Mexico • China • Taiwan