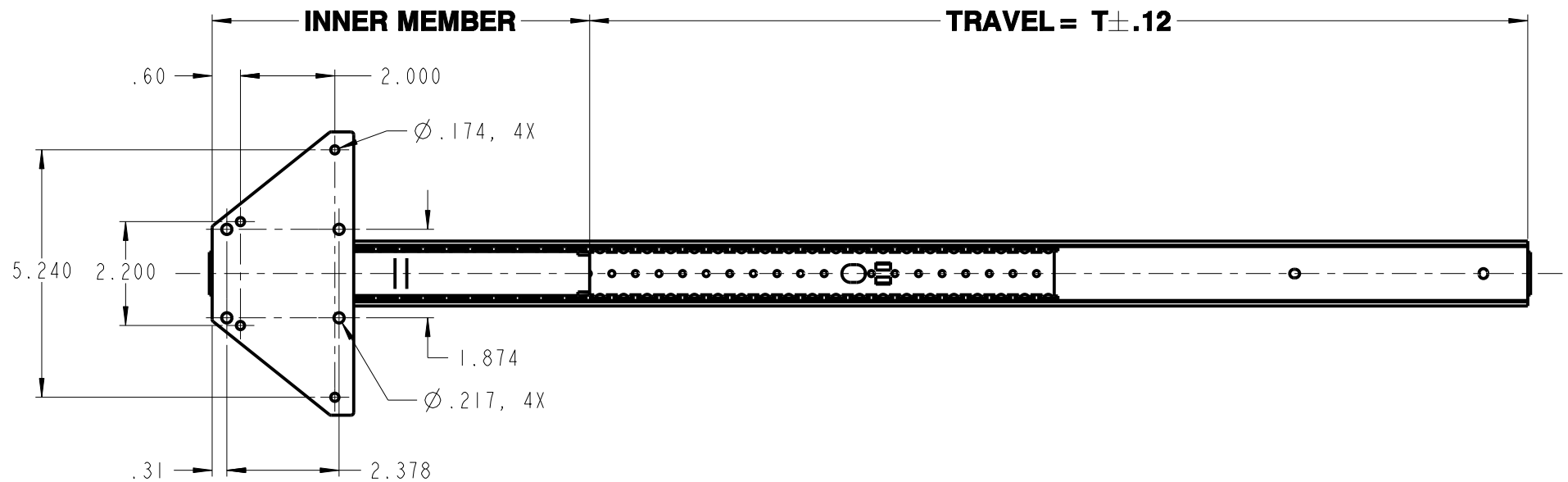
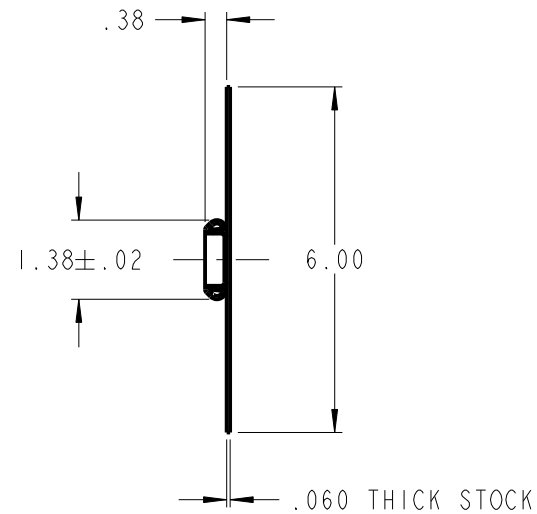
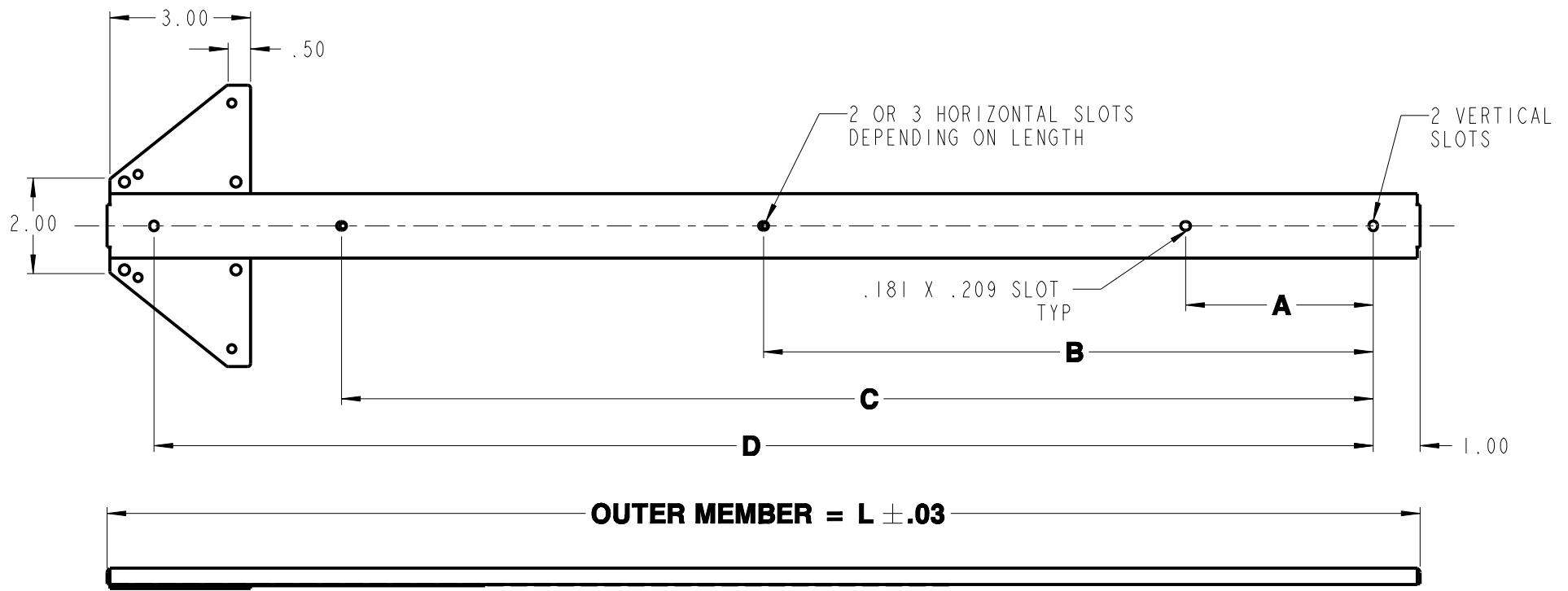


NOTES

1. MATERIAL: COLD ROLLED STEEL.
2. FINISH: ZINC PLATE.
3. SLIDE IS SYMMETRICAL, MAY BE USED AS LEFT OR RIGHT HAND SLIDE.
4. HOLES OTHER THAN SHOWN MAY BE IN THE SLIDE MEMBERS AT JONATHAN OPTION.
5. ORDER INFORMATION:

THE STANDARD 330LMB SLIDE IS IDENTIFIED BY SPECIFYING THE LENGTH OF OUTER AND INNER MEMBERS.

EXAMPLE: 330LMB-28-8 DESCRIBES AS 330 LINEAR MOTION SLIDE WITH AN OUTER MEMBER 28 INCHES LONG CONTAINING AN INNER MEMBER 8 INCHES LONG PROVIDING A TRAVEL OF 19.88 INCHES. THE TRAVEL IS DETERMINED BY THE OUTER AND INNER MEMBER LENGTHS.



OUTER MEMBER LENGTH	INNER MEMBER LENGTH						OUTER MEMBER MOUNTING HOLES				
	3.00	4.00	5.00	6.00	7.00	8.00	A	B	C	D	
<b>L</b>	<b>TRAVEL</b>										
12	8.88	7.88	6.88	5.88	4.88	3.88	4.000	6.000	-	10.000	
14	10.88	9.88	8.88	7.88	6.88	5.88	4.000	8.000	-	12.000	
16	12.88	11.88	10.88	9.88	8.88	7.88	4.000	10.000	-	14.000	
18	14.88	13.88	12.88	11.88	10.88	9.88	4.000	8.000	12.000	16.000	
20	16.88	15.88	14.88	13.88	12.88	11.88	4.000	9.000	14.000	18.000	
22	18.88	17.88	16.88	15.88	14.88	13.88	4.000	10.000	16.000	20.000	
24	20.88	19.88	18.88	17.88	16.88	15.88	4.000	11.000	18.000	22.000	
26	22.88	21.88	20.88	19.88	18.88	17.88	4.000	12.000	20.000	24.000	
28	24.88	23.88	22.88	21.88	20.88	19.88	4.000	13.000	22.000	26.000	



Irvine Technology Center  
 410 Exchange, Suite 200  
 Irvine, CA 92602  
 Tel. (714) 665-4400  
 Fax: (714) 368-7002  
 Website: www.jonathanengr.com  
 Engineer - Production - Integration/ Subassembly - Logistics  
 United States - Mexico - China - Taiwan

TOLERANCES UNLESS OTHERWISE NOTED				PART NUMBER :	DESCRIPTION :
				<b>330LMB</b>	
.XX	.XXX	ANGLES	HOLES	DATE :	
± .03	± .010	± 1°	± .005	01/13/10	<b>STEEL SERIES 330LMB LOAD RATING :</b>
SHEET 1 OF 1				COPYRIGHT © 2009 JONATHAN ENGINEERED SOLUTIONS	