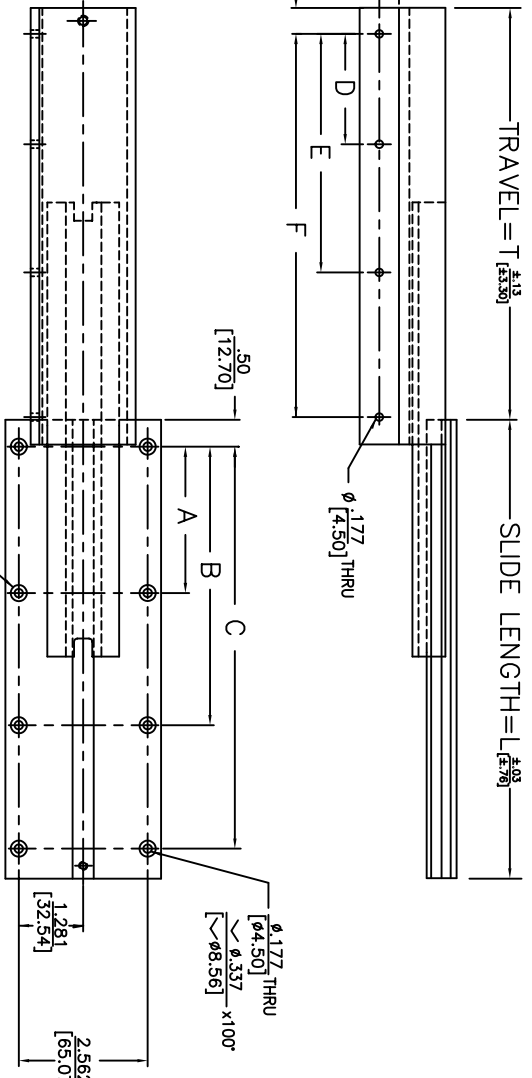
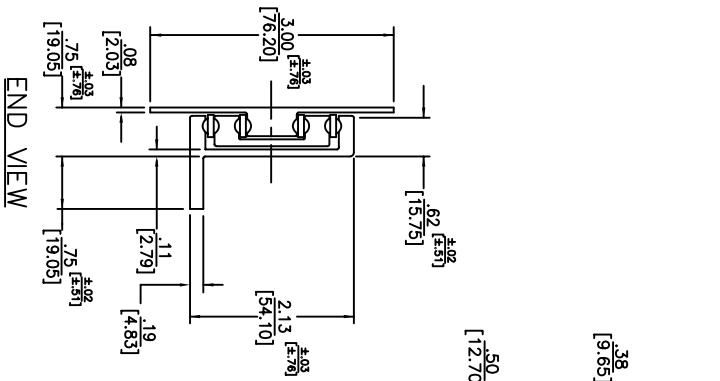
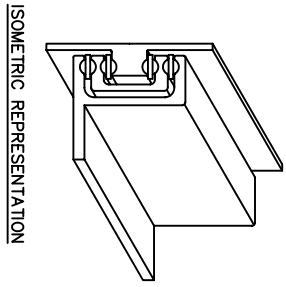


- NOTES:
1. LEFT SLIDE AS SHOWN, RIGHT SLIDE OPPOSITE.
 2. FOR LOCKING DEVICES, SEE SEPARATE SECTION.
 3. MOUNTING HOLE TOLERANCE ± 0.05 [±.13]



PART NO.	SLIDE LENGTH	SLIDE DIM.	MOUNTING HOLE DIM.	INNER MEMBER	OUTER MEMBER	LOAD RATING
SERIES	L	T	A B C D E F	PER PAIR		
98-10	10	9	7/2	9	7/2	129 LBS
98-12	12	9	7/2	9	7/2	150 LBS
98-14	14	9	7/2	9	7/2	171 LBS
98-16	16	9	7/2	9	7/2	192 LBS
98-18	18	9	7/2	9	7/2	213 LBS
98-20	20	9	7/2	9	7/2	234 LBS
98-22	22	9	7/2	9	7/2	255 LBS
98-24	24	9	7/2	9	7/2	276 LBS
98-26	26	9	7/2	9	7/2	297 LBS
98-28	28	9	7/2	9	7/2	318 LBS
98-30	30	9	7/2	9	7/2	339 LBS
98-32	32	9	7/2	9	7/2	360 LBS
98-34	34	9	7/2	9	7/2	381 LBS
98-36	36	9	7/2	9	7/2	402 LBS



Irvine Technology Center
 410 Exchange, Suite 200
 Irvine, CA 92602
 Tel: (714) 665-4400
 Website: www.jonathanengr.com
 Engineering • Production • Integration / Subassembly • Logistics
 United States • Mexico • China • Taiwan

DIMENSIONS SHOWN IN [MM]

AS: TOLERANCE UNLESS OTHERWISE NOTED

XX ±.010
 X ±.031
 XXX ±.005
 .XX [±.13]

ANGLES ±1°

PART NO. 98

DESCRIPTION: ALUMINUM SERIES 98 LOAD RATING: 69-138 LBS. / 31-62 KG.

DATE: 6/04

COPYRIGHT © 2004 JONATHAN ENGINEERED SOLUTIONS