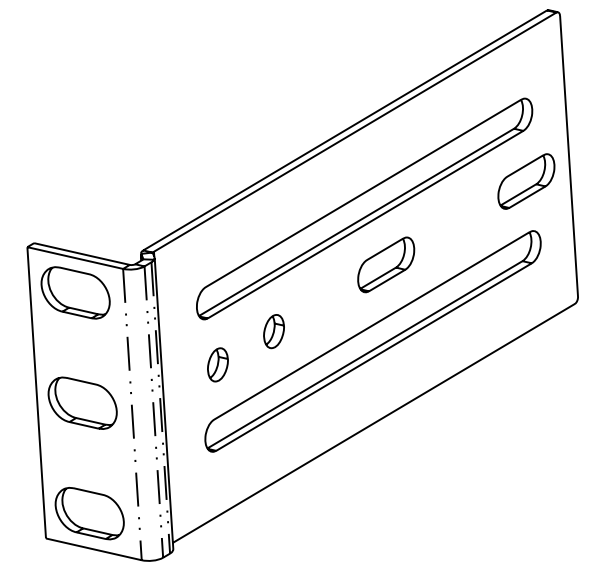
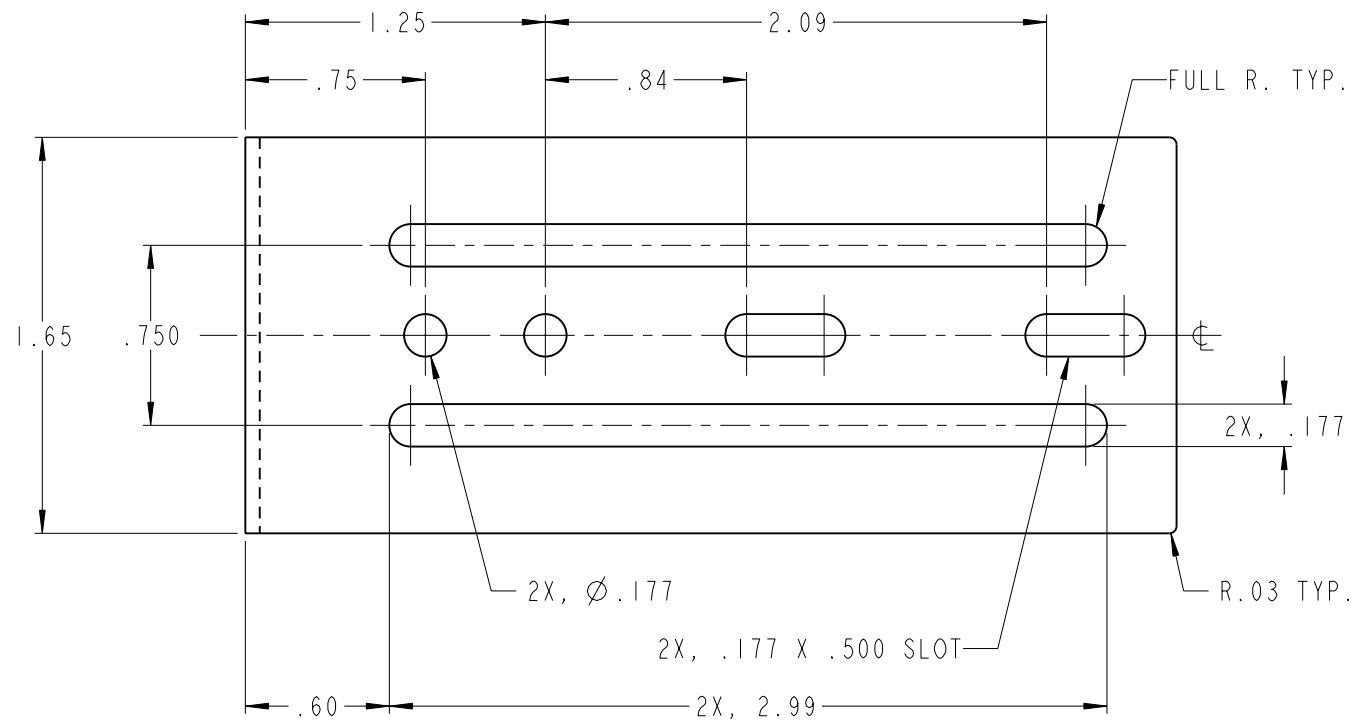
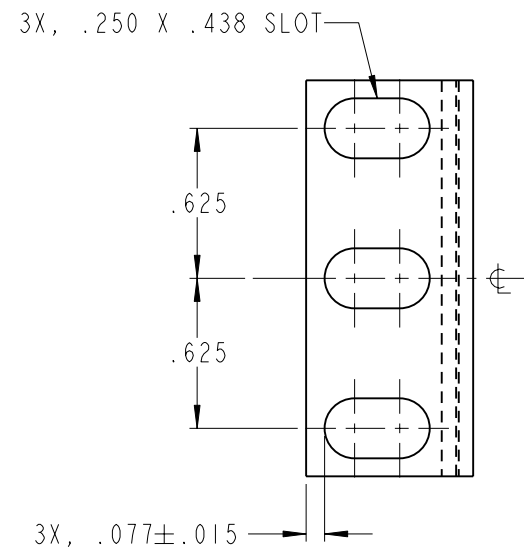
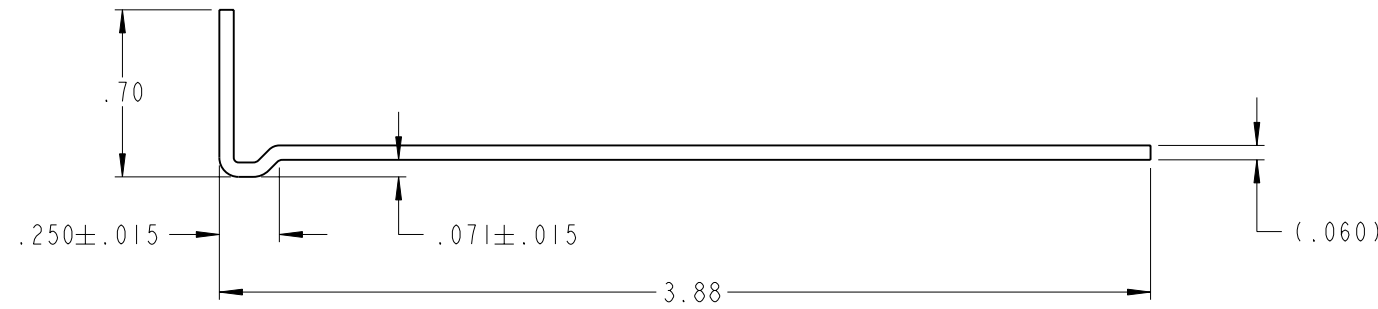


NOTES:

1. MATERIAL: .060" THICK SHEET, 300 SERIES STAINLESS STEEL.
2. FINISH: PASSIVATE PER SAE-AMS-QQ-P-35.



BK-40 CONTENTS:

PART NUMBER	DESCRIPTION	QTY
SPO-1151	RECESSED BRACKET	4
	SCREW - FHMS #8-32 X .375, SS	8
	NUT - HEX #8-32, SS	8
	WASHER - FLAT #8, SS	8
	WASHER - LOCK #8, SS	8



Irvine Technology Center
 410 Exchange, Suite 200
 Irvine, CA 92602
 Tel. (714) 665-4400
 Fax: (714) 368-7002
 Website: www.jonathanengr.com
 Engineer - Production - Integration/ Subassembly - Logistics
 United States - Mexico - China - Taiwan

TOLERANCES UNLESS OTHERWISE NOTED				PART NUMBER :	DESCRIPTION : RECESSED BRACKET KIT 128, 170 SERIES
.XX	.XXX	ANGLES	HOLES	BK-40	
± .01	± .005	± 1°	± .005	DATE : 05/15/09	
SHEET 1 OF 1				COPYRIGHT © 2009 JONATHAN ENGINEERED SOLUTIONS	