

A

A

B

B

C

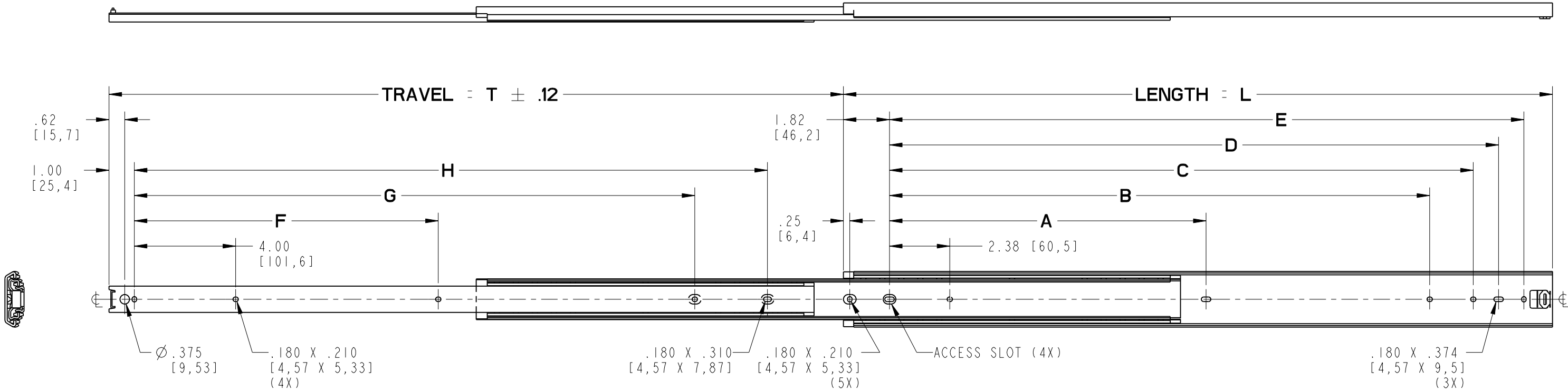
C

D

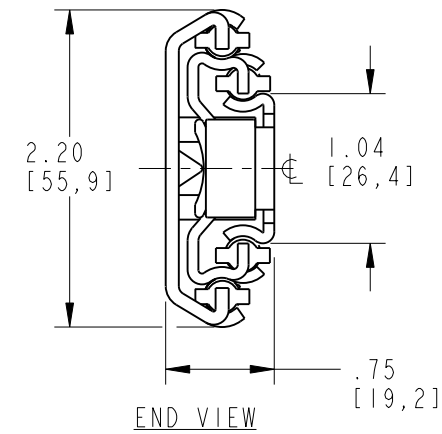
D

E

E



4. USE #8 PAN HEAD SCREWS FOR MOUNTING THROUGH THE SLIDE MEMBERS.
3. SLIDE IS SYMMETRICAL AND MAY BE USED AS A LEFT-HAND OR RIGHT-HAND MOUNTING UNIT.
2. FINISH: COMMERCIAL CLEAR ZINC PLATING.
1. MATERIAL: SLIDE MEMBERS ARE MADE FROM COLD ROLLED STEEL.
7. DIMENSIONS SHOWN IN INCHES AND [MILLIMETERS].
6. SLIDE HAS NON-METALLIC OPEN AND CLOSED STOPS.
5. HOLES OTHER THAN THOSE SHOWN MAY BE IN THE SLIDE MEMBERS.



PART NUMBER	SLIDE LENGTH	SLIDE TRAVEL	OUTER CHANNEL					INNER CHANNEL			LOAD RATING PER PAIR Lb/[Kg]
	L	T	A	B	C	D	E	F	G	H	
475-12	12.00 [304.8]	13.00 [330.2]	-	5.33 [135.4]	7.05 [179.1]	8.05 [204.5]	9.05 [229.9]	-	6.13 [155.6]	9.00 [228.6]	255 [116]
475-14	14.00 [355.6]	15.00 [381.0]	-	7.33 [186.2]	9.05 [229.9]	10.05 [255.3]	11.05 [280.7]	-	8.13 [206.4]	11.00 [279.4]	248 [112]
475-16	16.00 [406.4]	17.00 [431.8]	-	9.33 [237.0]	11.05 [280.7]	12.05 [306.1]	13.05 [331.5]	-	10.13 [257.2]	13.00 [330.2]	241 [109]
475-18	18.00 [457.2]	19.00 [482.6]	7.50 [190.5]	11.33 [287.8]	13.05 [331.5]	14.05 [356.9]	15.05 [382.3]	-	12.13 [308.0]	15.00 [381.0]	234 [106]
475-20	20.00 [508]	21.00 [533.4]	8.50 [215.9]	13.33 [338.6]	15.05 [382.3]	16.05 [407.7]	17.05 [433.1]	8.00 [203.2]	14.13 [358.8]	17.00 [431.8]	225 [102]
475-22	22.00 [558.8]	23.00 [584.2]	9.50 [241.3]	15.33 [389.4]	17.05 [433.1]	18.05 [458.5]	19.05 [483.9]	9.00 [228.6]	16.13 [409.6]	19.00 [482.6]	215 [98]
475-24	24.00 [609.6]	25.00 [635.0]	10.50 [266.7]	17.33 [440.2]	19.05 [483.9]	20.05 [509.3]	21.05 [534.7]	10.00 [254.0]	18.13 [460.4]	21.00 [533.4]	203 [92]
475-26	26.00 [660.4]	27.00 [685.8]	11.50 [292.1]	19.33 [491.0]	21.05 [534.7]	22.05 [560.1]	23.05 [585.5]	11.00 [279.4]	20.13 [511.2]	23.00 [584.2]	188 [85]
475-28	28.00 [711.2]	29.00 [736.6]	12.50 [317.5]	21.33 [541.8]	23.05 [585.5]	24.05 [610.9]	25.05 [636.3]	12.00 [304.8]	22.13 [562.0]	25.00 [653.0]	169 [77]

JONATHAN[®]
Engineered Solutions

Irvine Technology Center
410 Exchange, Suite 200
Irvine, CA 92602
Tel. (714) 665-4400
Fax: (714) 368-7002
Website: www.jonathanengr.com
Engineer - Production - Integration/ Subassembly - Logistics
United States - Mexico - China - Taiwan

TOLERANCES UNLESS OTHERWISE NOTED				PART NUMBER : 475		DESCRIPTION : STEEL SERIES 475 LOAD RATING: 169-255 Lbs / 77-116 Kg.
.XX	.XXX	ANGLES	HOLES	DATE : 11/20/15		
± .03	± .010	± 1°	± .005			
SHEET 1 OF 1				COPYRIGHT © 2012 JONATHAN ENGINEERED SOLUTIONS		