

1

2

3

4

5

A

A

B

B

C

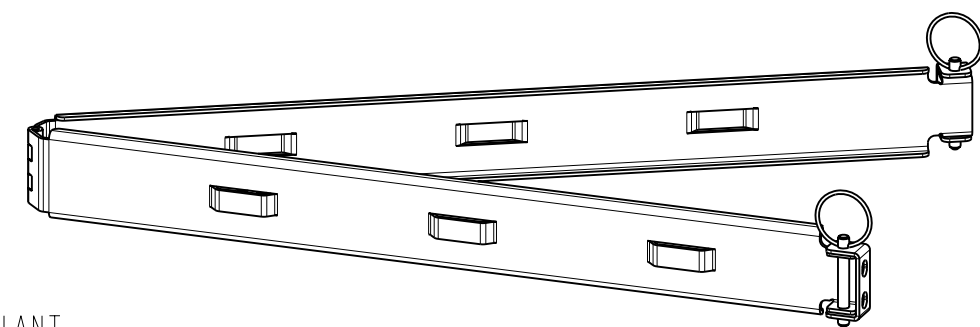
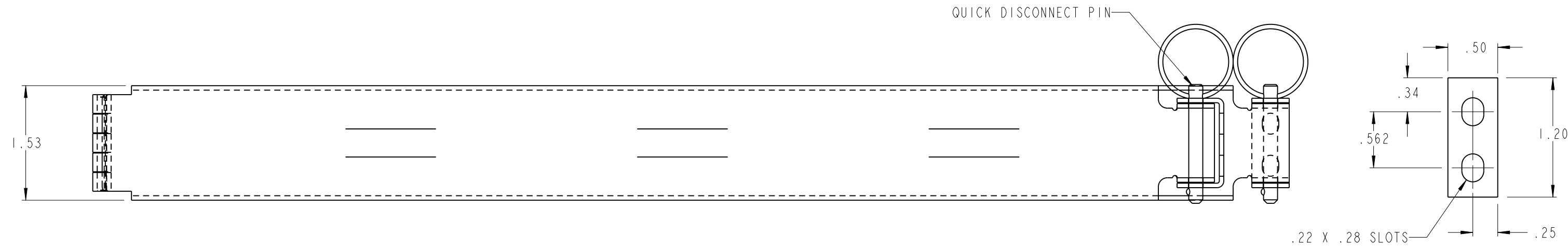
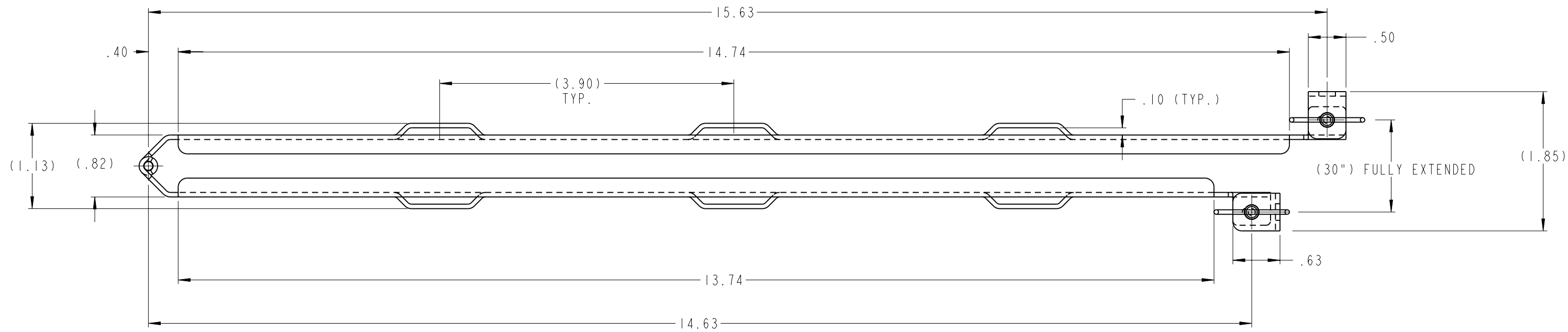
C

D

D

E

E



ISO VIEW

- 1. PART NUMBER: MCR-1054
MATERIAL: COLD ROLLED STEEL
FINISH: ZINC PLATE ROHS COMPLIANT
- 2. PART NUMBER: MCR-1054-SS
MATERIAL: STAINLESS STEEL
FINISH: PASSIVATED
- 3. EXTENSION: 30" FULLY EXTENDED



Irvine Technology Center
410 Exchange, Suite 200
Irvine, CA 92602
Tel. (714) 665-4400
Fax: (714) 368-7002
Website: www.jonathanengr.com
Engineer - Production - Integration/ Subassembly - Logistics
United States - Mexico - China - Taiwan

TOLERANCES UNLESS OTHERWISE NOTED				PART NUMBER :		DESCRIPTION :
				MCR-1054		
		MCR-1054-SS		SERIES: MCR		
		DATE :		MATERIAL: STEEL/ SS STEEL		
.XX	.XXX	ANGLES	HOLES	02/08/11		
± .03	± .010	± 2°	± .005			
SHEET 1 OF 1				COPYRIGHT © 2009 JONATHAN ENGINEERED SOLUTIONS		

1

2

3

4

5