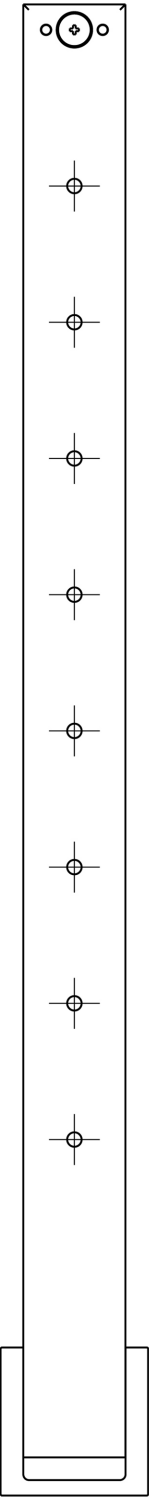
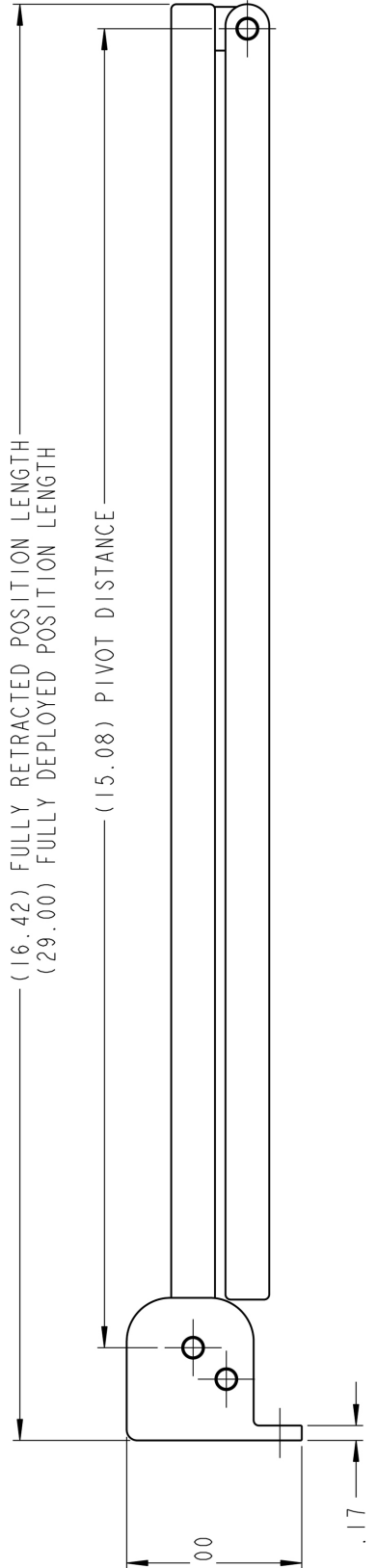
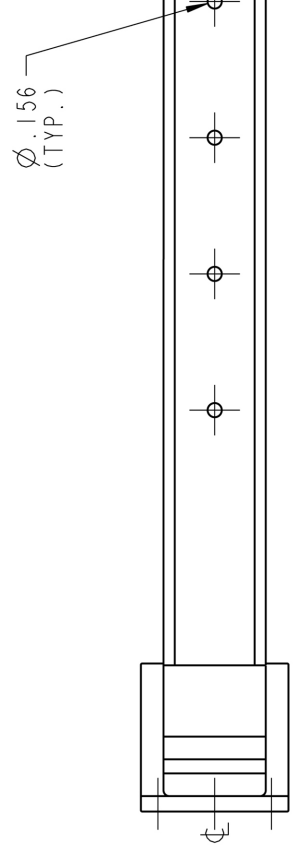
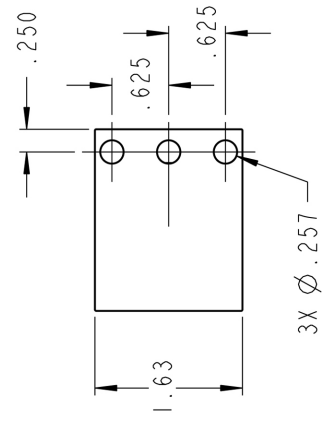



	1	2	3	4	5																
A																					
B																					
C																					
D																					
E	<p>4. LOCTITE IS APPLIED TO SCREW(S)</p> <p>3. CABLE ARM IS PROPRIETARY TO JONATHAN ENGINEERED SOLUTIONS AND IS PATENT PENDING.</p> <p>2. FINISH: ALUMINUM PARTS ARE ANODIZED PER MIL-A-8625, TYPE II, CLASS I. CRES COMPONENTS ARE PASSIVATED PER SAE-AMS-00-P-35.</p> <p>1. MATERIAL: CABLE ARMS AND BRACKET ARE FABRICATED FROM HIGH STRENGTH ALUMINUM ALLOY WITH A MINIMUM TENSILE STRENGTH OF 35,000 PSI. COMPONENT PARTS ARE STAINLESS STEEL AND HIGH STRENGTH ALUMINUM.</p>																				
<div style="text-align: center;">  <p>Irvine Technology Center 410 Exchange, Suite 200 Irvine, CA 92602 Tel: (714) 665-4400 Fax: (714) 368-7002 Website: www.jonathanengr.com Engineer - Production - Integration / Subassembly - Logistics United States - Mexico - China - Taiwan</p> </div> <table border="1" style="width: 100%; border-collapse: collapse;"> <tr> <td colspan="2" style="text-align: center;">PART NUMBER: CMS-15-1U</td> <td colspan="2" style="text-align: center;">DESCRIPTION: MATERIAL: ALUMINUM SERIES: CMS-15-1U</td> </tr> <tr> <td style="text-align: center;">TOLERANCES UNLESS OTHERWISE NOTED</td> <td style="text-align: center;">.XX ± .03</td> <td style="text-align: center;">ANGLES ± 1°</td> <td style="text-align: center;">HOLES ± .005</td> </tr> <tr> <td colspan="2"></td> <td colspan="2" style="text-align: center;">DATE: 1/11</td> </tr> <tr> <td colspan="4" style="text-align: center;">SHEET 1 OF 1</td> </tr> </table> <p style="text-align: right;">COPYRIGHT ©2011 JONATHAN ENGINEERED SOLUTIONS</p>						PART NUMBER: CMS-15-1U		DESCRIPTION: MATERIAL: ALUMINUM SERIES: CMS-15-1U		TOLERANCES UNLESS OTHERWISE NOTED	.XX ± .03	ANGLES ± 1°	HOLES ± .005			DATE: 1/11		SHEET 1 OF 1			
PART NUMBER: CMS-15-1U		DESCRIPTION: MATERIAL: ALUMINUM SERIES: CMS-15-1U																			
TOLERANCES UNLESS OTHERWISE NOTED	.XX ± .03	ANGLES ± 1°	HOLES ± .005																		
		DATE: 1/11																			
SHEET 1 OF 1																					
1	2	3	4	5																	